

ONE TRUSTED NAME FOR ALL UNDERGROUND PIPING APPLICATIONS

CORFIT[®]
Underground Double Wall
Corrugated Pipes

CABLEFIT[™]
CABLE DUCTING PIPES



CORFIT[®]
INSPECTION CHAMBER



PEFit[®]**AQUA**
HDPE PIPING SYSTEMS



DRAINFIT[™]
UPVC Underground
Drainage Piping Systems

CORFIT[®]
MANHOLE CHAMBERS



STATE-OF-THE-ART MANUFACTURING UNITS



HYDERABAD EST. 2021



JAIPUR EST. 2019



KOLHAPUR EST. 2012



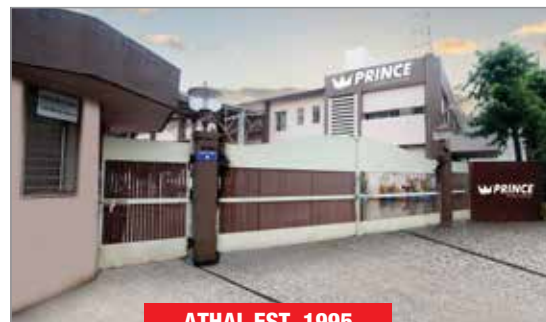
CHENNAI EST. 2012



HARIDWAR EST. 2008



DADRA EST. 2000



ATHAL EST. 1995

Prince Pipes provides the widest range of piping systems for all underground applications which are technologically advanced and fit for building a cleaner India. All our plants and work force are channelizing their efforts and energy towards achieving this mission making us the **ONE TRUSTED NAME** for all underground piping applications.

Index

Corfit 02

Inspection chamber 04

Manhole chamber 06

Drainfit 08

PEfit Aqua 10

Cablefit 12

CORFIT



CORFIT[®]

**Underground Double Wall
Corrugated Pipes**

**A REVOLUTION TODAY FOR
A CLEANER INDIA TOMORROW**



Pipes as per
IS 16098-2



Overview

Corfit DWC* pipes and fittings are manufactured using HDPE polymer. These pipes are resistant to various types of gases & chemicals which are generated due to putrifaction of various ingredients flowing in the system.

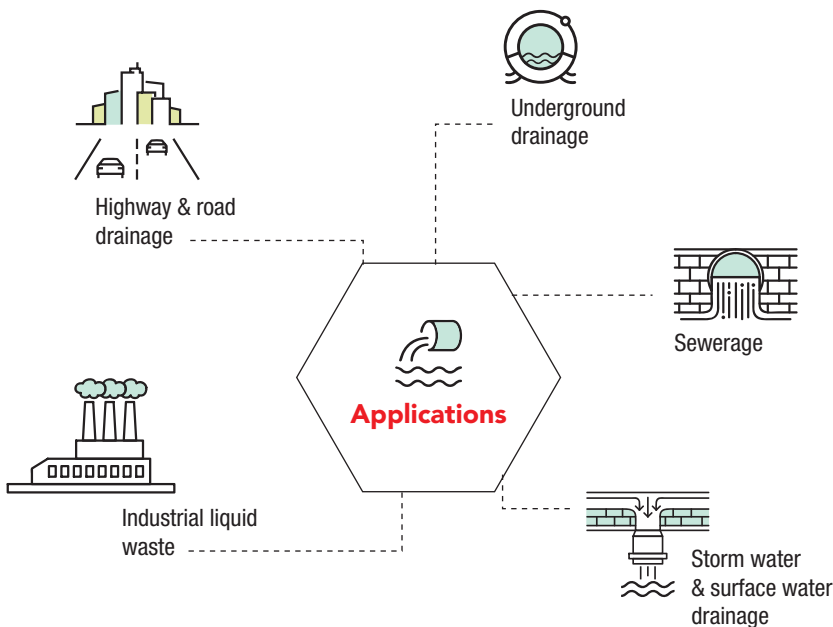
Corfit DWC* Pipes are manufactured as per IS 16098 (Part-2), have a smooth internal surface and corrugated external surface. The corrugated external surface provides greater stiffness, withstands soil movements & takes higher loads (static & dynamic), whereas the internal surface helps in smooth flow of sewerage.

Product Range

- **Pipes:** 100 to 1000 mm
- **Fittings:** 100 to 500 mm

Standards

Pipes				Fittings		
Size (mm)	Class	Standard	End Connection	Size (mm)	Standard	End Connection
100 to 1000	SN4 & SN8	IS 16098 - Part 2	Rubber Ring Joint	100 to 500	-	Rubber Ring Joint

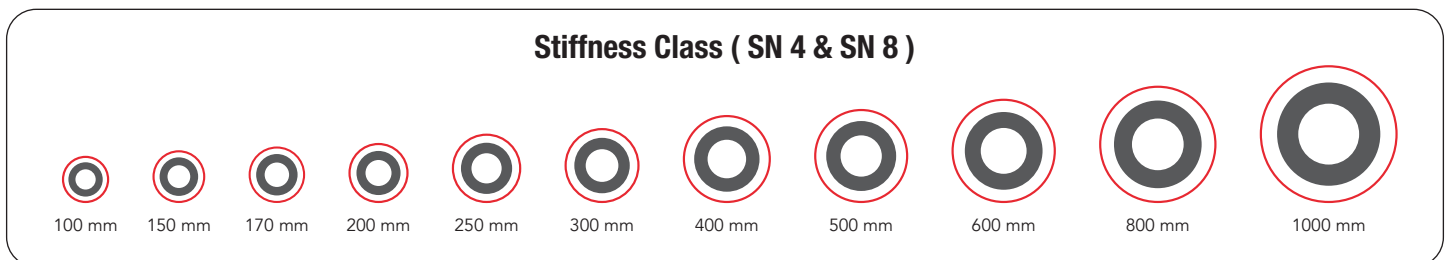


Features and Benefits

- Easy to handle, transport and store
- Easy to install
- Superior performance than RCC Pipes
- Long life
- Available in long length of 6 meter, so there are minimum joints ensuring reduced chances of leakage
- Corrosion & abrasion resistant

*Double Wall Corrugated

Corfit DWC* Pipes Range



Corfit Fittings



INSPECTION CHAMBERS



CORFIT[®]
INSPECTION CHAMBER

DRAINFIT[™]
INSPECTION CHAMBER

NO MORE BLOCKAGE. ONLY FREE FLOWING SEWAGE.



Made from HDPE material

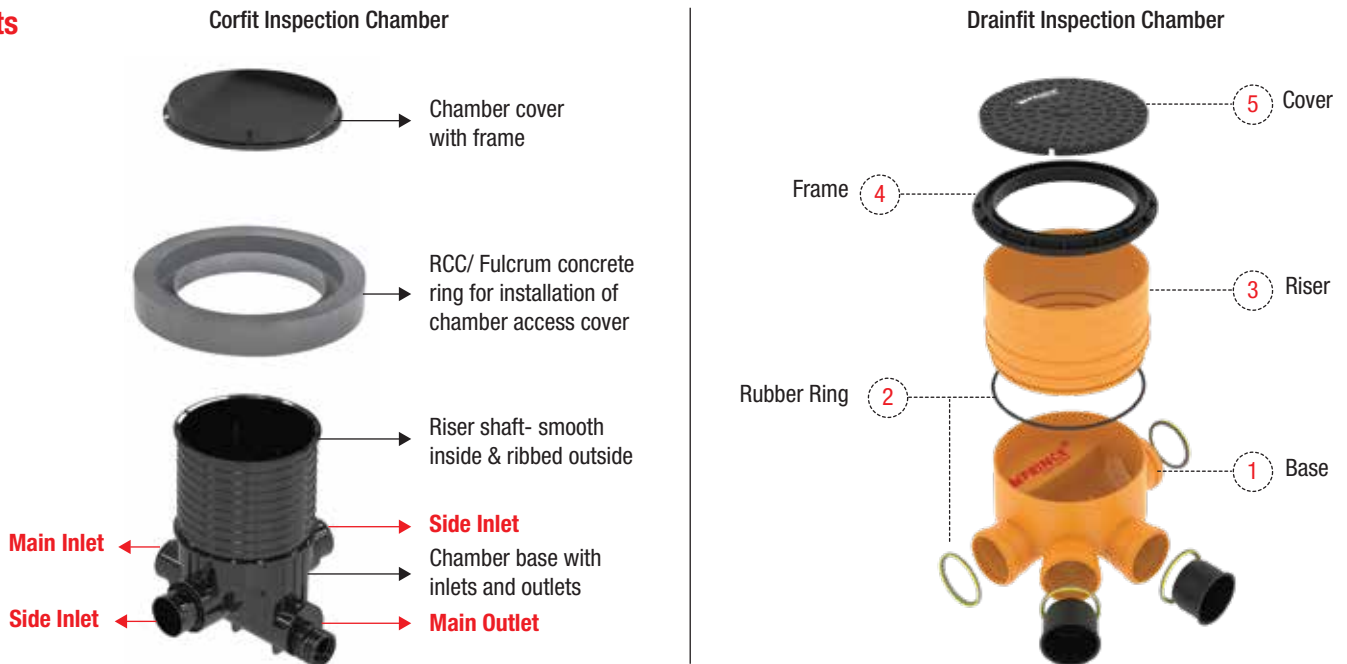


Made from Polypropylene material

Overview

Integral to every underground drainage system, inspection chambers are resistant to acids, bases and organic compounds, so they can withstand aggressive substances like sulphuric acid and hydrogen sulphide which are found in every sewer. They are installed where multiple drainage lines are connected. And are used for inspection, maintenance and removal of debris which is generated through the flow of sewer waste. With over 33 years of expertise in underground piping solutions, Prince Pipes offers two kinds of inspection chambers - Corfit Inspection Chamber (made of HDPE) and Drainfit Inspection Chamber (made of polyethylene material) for residential as well as commercial sector.

Parts



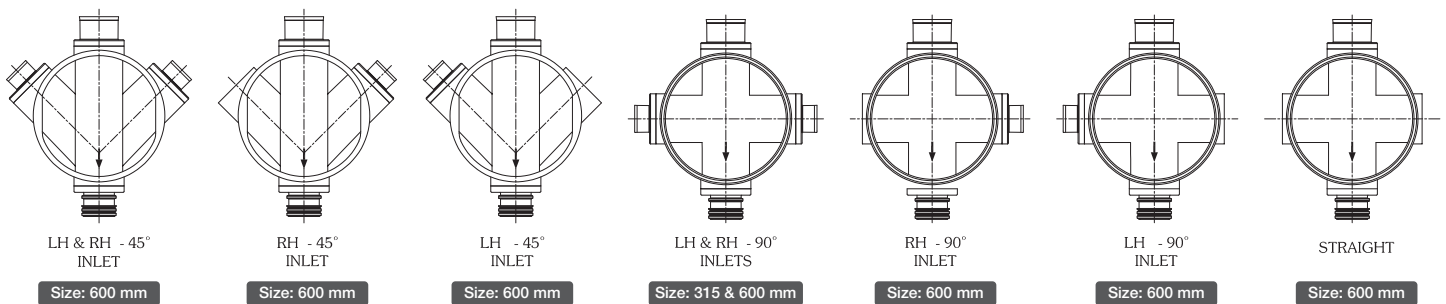
Sizes

- **Corfit Inspection Chamber:** 315 mm & 600 mm
 - Invert depth for 600 mm diameter - 1.25 m
 - Invert depth for 315 mm diameter - 0.75 m
- **Drainfit Inspection Chamber:** 315 mm

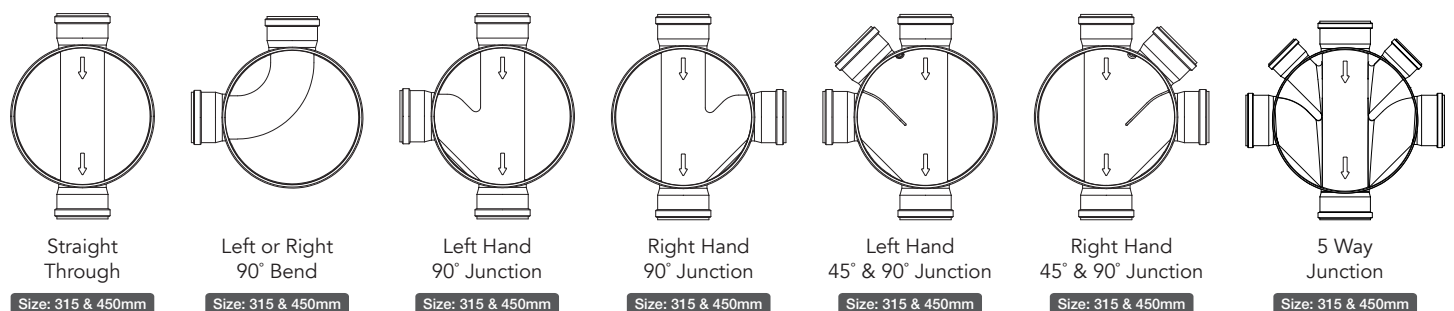
Features and Benefits

- Single piece structure for easy installation and leakage-free joints
- Socket, spigot and side inlet connections with rubber sealing ring
- Resistant to floating due to ribs and collar provided on external surface of riser/shaft
- Abrasion resistant
- Smooth inside invert surface for high hydraulic capacity
- Chemical resistant
- About 2° slope provided for gravity flow in inspection chamber base
- Lightweight

Types of Corfit Inspection Chambers



Types of Drainfit Inspection Chambers



MANHOLE CHAMBERS



CORFIT[®]
MANHOLE CHAMBERS

**UPGRADING INDIA'S DRAINAGE SYSTEM
TO MEET GLOBAL STANDARDS**



Overview

Corfit Manhole and Inspection Chambers are made from PE (Polyethylene) material. Polyethylene material is resistant to acids, bases and organic compounds, thus Corfit Manhole and Inspection Chambers can withstand aggressive substances like sulphuric acid and hydrogen sulphide which are found in every sewer. These are integral to underground drainage systems and are installed where multiple drainage lines are connected. It is used for inspection, maintenance and removal of debris which is generated through the flow of sewer waste. These are used in sewerage/drainage networks. For maintenance of sewer manhole entry diameter were maintained for person entry and steps were provided to reach the person safely to base of the Manhole chamber.

Standards

Manufactured under guidelines of BS EN 13598 1 & 2
BS EN 13598-2 For Manhole Chamber.

Features and benefits

- Socket, spigot and side inlet connections with rubber sealing ring
- Resistant to floating due to ribs and collar provided on external surface of riser/shaft
- Abrasion resistant
- Smooth inside invert surface for high hydraulic capacity
- Chemical resistant
- About 2° slope provided for gravity flow in Inspection Chamber base
- Light weight

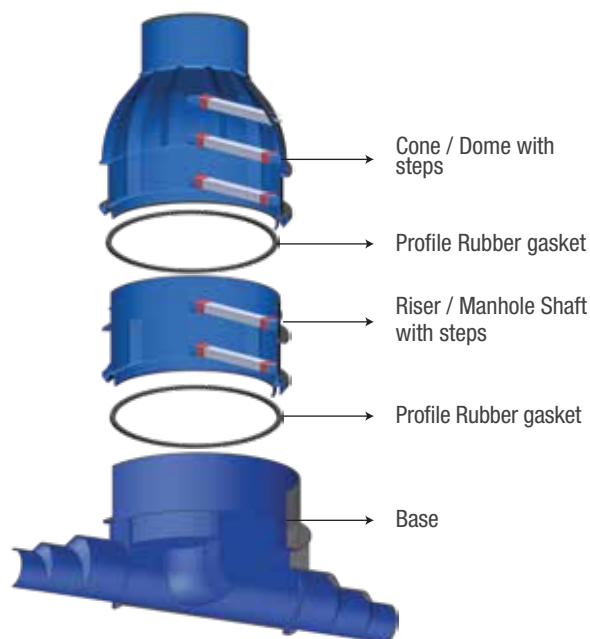
Manhole Part	Total Height (mm)	Effective Height / Invert Depth (mm)
Base	750	700
Riser	580	510
	315	250
Cone	1180	1110
	1330	1260
	1480	1410

Note: For height / invert depth adjustment, to use combination of Riser & Top Cone.

Applications

Commercial & Municipal sewerage/drainage networks

Manholes assembly consist of:



Product Range

Item description	Main Inlet	Side Inlet	Main Outlet	Product Image	Type of Manhole Base
1000mm Base, 3Inlets and 1Multi outlet suitable for UPVC pipes	110, 160, 200, 250 & 315mm.	110, 160, 200, 250 & 315mm.	200, 250 & 315mm. 110mm, 160 & 200mm.		
1000mm Base, 2Inlets and 2Multi outlet suitable for UPVC pipes	200, 250 & 315mm.	110, 160, 200, 250 & 315mm.	200, 250 & 315mm. 110mm, 160 & 200mm.		
1000mm Base, 3Inlets and 1outlet suitable for DWC pipes	250 & 300mm	100, 150 & 200mm*	250 & 300mm		

Note: *For connecting DWC Pipe use Rubber ring, Short length of UPVC pipe & Connector

DRAINFIT



DRAINFIT™

**UPVC Underground
Drainage Piping Systems**

**FOR UNDERGROUND DRAINAGE
APPLICATIONS**



Pipes as per
IS 15328



Overview

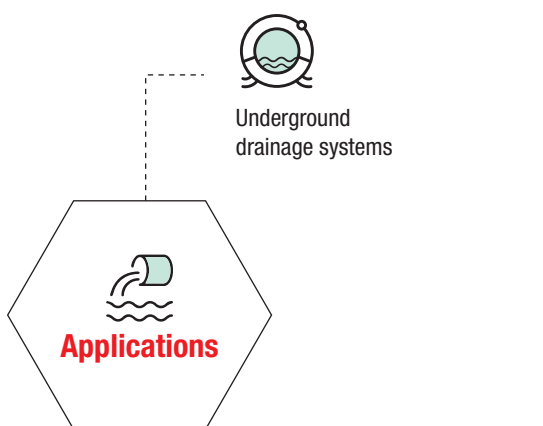
Drainfit Pipes are noticeably lighter and less expensive than existing PVC pipes/ concrete pipes. These pipes are interchangeable with solid wall pipes and are compatible with regular PVC fittings. We have introduced rubber and solvent fittings to offer a complete range of drainage piping systems.

Product Range

- **Pipes:** 63 to 400 mm
- **Fittings:** 75, 110 & 160 mm

Standards

Pipes			Fittings		
Size (mm)	Standard	End Connection	Size (mm)	Standard	End Connection
SN 2 - 160 to 400 SN 4 - 125 to 400 SN 8 - 63 to 400	IS 15328	Elastomeric Sealing Ring & Solvent Joint	75, 110 & 160	EN-1401-1	Elastomeric Sealing Ring & Solvent Joint



Features and Benefits

- Leak-proof
- Long life
- Anti-rodent
- Light-weight and easy to transport
- Fast and easy installation, even in wet conditions
- Resistance to abrasion, smooth bore pipes reduce the risk of blockage
- Good impact resistance

Dimensions

Nominal Size (Outside Diameter)	Mean Outside Diameter		Wall Thickness					
			SN2 (SDR 51)		SN4 (SDR 41)		SN8 (SDR 34)	
	Minimum	Maximum	Minimum	Maximum	Minimum	Maximum	Minimum	Maximum
(mm)	(mm)	(mm)	(mm)	(mm)	(mm)	(mm)	(mm)	(mm)
63	63.00	63.30	-	-	-	-	2.70	3.10
75	75.00	75.30	-	-	-	-	2.80	3.30
90	90.00	90.30	-	-	-	-	2.90	3.40
110	110.00	110.40	-	-	-	-	3.20	3.70
125	125.00	125.40	-	-	3.20	3.70	3.70	4.40
160	160.00	160.50	3.20	3.70	4.00	4.60	4.70	5.40
200	200.00	200.60	3.90	4.50	4.90	5.60	5.90	6.70
250	250.00	250.80	4.90	5.60	6.20	7.00	7.30	8.30
315	315.00	316.00	6.20	7.00	7.70	8.70	9.20	10.40
400	400.00	401.20	7.90	8.90	9.80	11.00	11.70	13.10

Drainfit Fittings



Fittings available in both Rubber Ring and Solvent Joint options.

PEFIT AQUA



PEFit[®] AQUA
HDPE PIPING SYSTEMS

BRINGS WATER TO LIFE



As per
IS 4984:2016



Overview

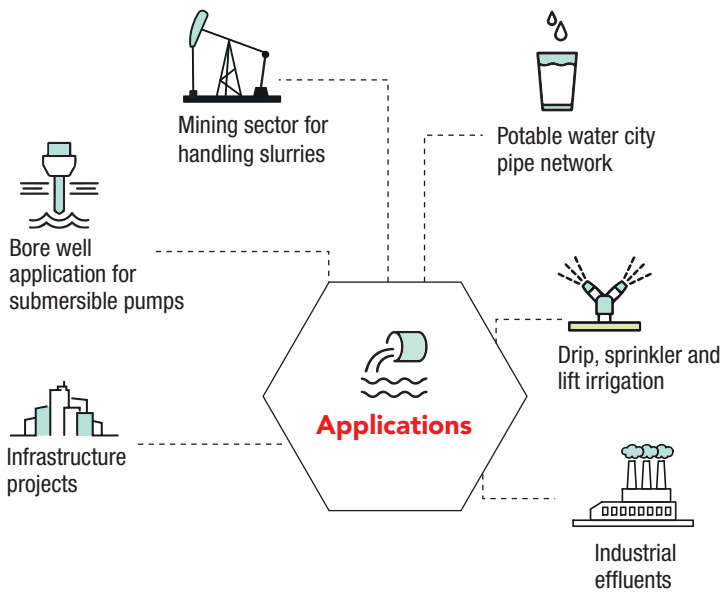
Polyethylene polymer is designed to meet the most demanding operating conditions in the process of transmission of various types of liquids. PRINCE PEFit Aqua is manufactured in our State-of-the-Art Manufacturing facilities using high quality virgin raw material.

Product Range

- **Pipes:** 20 to 315mm • **Lenght:** 6 meter & 12 meter
- **Coil:** 20 to 110mm

Standards

Pipes & Coil				
Size (mm)	Class	Standard	Working Pressure	End Connection
Pipe: 20 to 315 Coil: 20 to 110	PE63, PE80, PE100	IS 4984:2016	2KG/CM2 to 20KG/CM2 SDR41 to SDR6	Butt Welding, Electro Fusion



Features and Benefits

- Ease of installation and excellent weldability
- Excellent Flexibility
- Low friction coefficient & higher flow capacity
- UV Resistance
- Recyclable
- Light in weight
- Chemical and corrosion resistance*
- Resistance to ground movement and loads
- Good weather resistance
- Long Life

Standard dimension ratio (SDR) and corresponding wall thickness of pipes as per IS 4984:2016.

SDR	SDR 41	SDR 33	SDR 26	SDR 21	SDR 17	SDR 13.6	SDR 11	SDR 9	SDR 7.4	SDR 6										
Nominal Pressure (PN)																				
PE 63	PN 2	PN 2.5	PN 3.2	PN 4	PN 5	PN 6	PN 8	-	-	-										
PE 80	PN 2.5	PN 3.2	PN 4	PN 5	PN 6	PN 8	PN 10	PN 12.5	PN 16	PN 20										
PE 100	PN 3	PN 4	PN 5	PN 6	PN 8	PN 10	PN 12.5	PN 16	PN 20	-										
Wall Thickness (mm)																				
Nominal OD (mm)	min	max	min	max	min	max	min	max	min	max	min	max	min	max	min	max	min	max	min	max
20																				
25																				
32																				
40																				
50																				
63																				
75	1.9	2.2	2.3	2.6	2.9	3.3	3.6	4.1	4.5	5.1	5.6	6.3	6.9	7.7	8.4	9.3	10.2	11.3	12.5	13.9
90	2.2	2.5	2.8	3.2	3.5	4.0	4.3	4.8	5.3	5.9	6.7	7.5	8.2	9.1	10.0	11.1	12.2	13.5	15.0	16.6
110	2.7	3.1	3.4	3.8	4.3	4.8	5.9	6.6	6.5	7.3	8.1	9.0	10.0	11.1	12.3	13.6	14.9	16.5	18.4	20.3
125	3.1	3.5	3.8	4.3	4.8	5.4	6.0	6.7	7.4	8.2	9.2	10.2	11.4	12.7	13.9	15.4	16.9	18.7	20.9	23.1
140	3.5	4.0	4.3	4.8	5.4	6.0	6.7	7.5	8.3	9.2	10.3	11.4	12.8	14.2	15.6	17.3	19.0	21.0	23.4	25.8
160	3.9	4.4	4.9	5.5	6.2	6.9	7.7	8.6	9.5	10.6	11.8	13.1	14.6	16.2	17.8	19.7	21.7	24.0	26.7	29.5
180	4.4	4.9	5.5	6.2	7.0	7.8	8.6	9.6	10.6	11.8	13.3	14.7	16.4	18.1	20.0	22.1	24.4	26.9	30.0	33.1
200	4.9	5.5	6.1	6.8	7.7	8.6	9.6	10.7	11.8	13.1	14.7	16.3	18.2	20.1	22.3	24.6	27.1	29.9	33.4	36.8
225	5.5	6.2	6.9	7.7	8.7	9.7	10.8	12.0	13.3	14.7	16.6	18.4	20.5	22.7	25.0	27.6	30.5	33.7	37.5	41.4
250	6.1	6.8	7.6	8.5	9.7	10.8	12.0	13.3	14.7	16.3	18.4	20.3	22.8	25.2	27.8	30.7	33.8	37.3	41.7	46.0
280	6.9	7.7	8.5	9.5	10.8	12.0	13.4	14.8	16.5	18.3	20.6	22.8	25.5	28.2	31.2	34.4	37.9	41.8	46.7	51.5
315	7.7	8.6	9.6	10.7	12.2	13.5	15.0	16.6	18.6	20.6	23.2	25.6	28.7	31.7	35.0	38.6	42.6	47.0	52.5	57.9

*The chemical resistance chart can be provided on request.

CABLEFIT



CABLEFIT™
CABLE DUCTING PIPES

**PROTECT THE CABLES THAT
POWER YOUR PROJECT**



Pipes as per
IS 16205-24



Overview

Infrastructure in India is seeing new avenues on daily basis. With multiple innovations happening across sectors and wiring being involved in almost all sectors, cable ducting becomes an essential investment in protecting wires across applications.

Introducing PRINCE CABLEFIT, made from High Density Polyethylene (HDPE) which provides long-term strength, chemical resistance and prevention of stress cracks. Its unique double-walled construction makes it light-weight, gives excellent mechanical properties like high ring stiffness and better impact strength. The smooth inner wall facilitates easy insertion of ducts and cables.

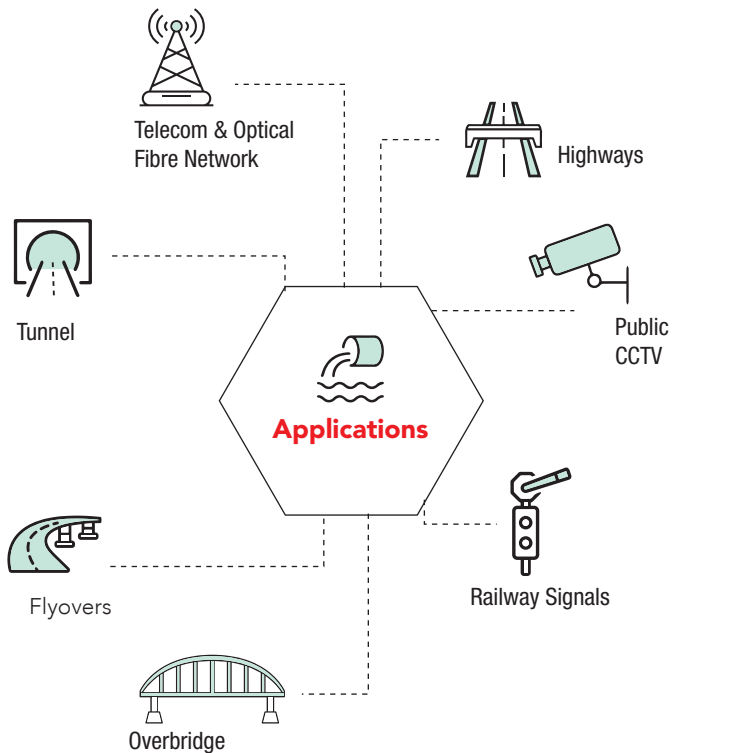
These pipes are manufactured using ultra-modern hi-tech machines which results in excellent finished product. It is manufactured as per standard IS 16205 – Part 24. Prince Cablefit is available in class 450N and 750N*.

Product Range

- **Pipes (OD):** 50 mm, 63 mm, 75 mm, 90 mm, 110 mm, 120 mm, 160 mm.
- **Fittings:** 50 mm, 63 mm, 75 mm, 90 mm.
 - Standard length of pipes is 6 m for sizes 90 mm - 160 mm.
 - For sizes 50 mm, 63 mm & 75 mm, it will be available in coil of 100 m.

Standards

Pipes				Fittings	
Size (mm)	Class	Standard	End Connection	Size (mm)	End Connection
Coil Form - 50mm to 75mm	450N*	IS 16205 Part 24	With or Without Rubber Ring	50mm to 90mm	With & Without Rubber Ring
Standard Length Pipes - 90mm to 160mm					



Features and Benefits

- Light-weight makes it easy to assemble and transport
- Smooth internal surface makes it easy to pull cables through the pipe
- Optimum mechanical and physical properties
- Tough outer surface makes it easy to resist high impacts
- Low-maintenance and long-lasting
- Built-in space capacity for future expansion
- Reduces cable over cable damage

Fittings



Coupler



Elbow



Tee

Prince Zero Defect Network



PRINCE PIPES AND FITTINGS LIMITED

E: info@princepipes.com | W: www.princepipes.com

Branch Offices: Ahmedabad | Chennai | Delhi | Hyderabad | Kolkata | Pune

Toll Free: 1800 267 7555

Please Call between 10 am to 6 pm

Follow us on:    



PPF/UDG Booklet/ E-L/October 2022/Printed in October 2022

Disclaimer: All information contained in this manual is given in good faith and believed to be accurate and reliable. No responsibility can be accepted for any error, omissions or incorrect assumptions. Any specification can change without prior notice. All the images are shown for representation purposes only.